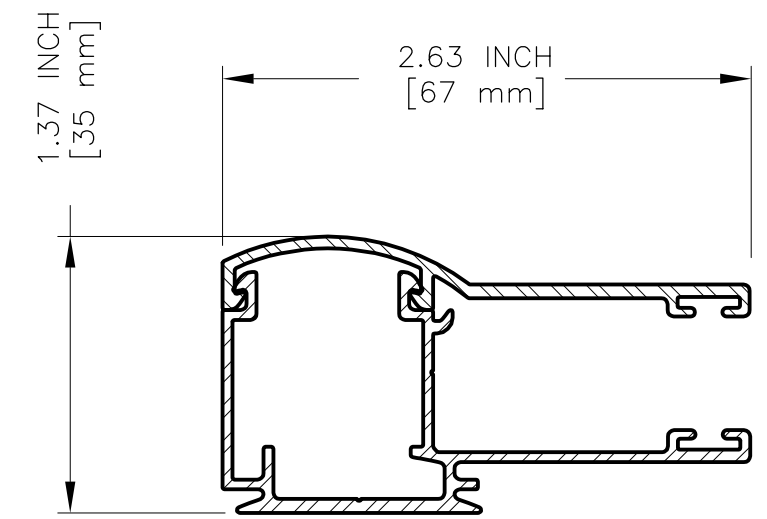


VERTICAL CROSS SECTION (LOOKING DOWN)



THIS DRAWING CONTAINS TRADE SECRETS AND CONFIDENTIAL AND PROPRIETARY INFORMATION OF SHADE & SHUTTER SYSTEMS, INC. IT IS NOT TO BE USED OR DISCLOSED WITHOUT EXPRESS WRITTEN PERMISSION OF SHADE & SHUTTER SYSTEMS, INC.

By accepting the document you agree to the above.

Copyright © Shade & Shutter Systems, Inc. 2003. All rights reserved.

NO.	DATE	BY	REVISION
8			
7			
6	5/15/06	PHB	REMOVED WINDOW REFERENCE, CHANGED ADDRESS, ADDED BOX OPENING SIZE
5	11/11/04	PHB	REVISED HEADER. ADDED MISSING 2X6
4	11/08/04	PHB	REPLACED INCORRECT HTF 40 RAIL WITH CORRECT SAFE RAIL
3	11/03/04	PHB	UPDATED ADDRESS, ADDED HTF 40 RAIL, RESCALED TO 1"=1' FOR MAIN VIEWS
2	7/17/03	PHB	ADDED VAPOR BARRIER, FOAM INSULATION, BLOCKING
1	05/19/03	PHB	MINOR TEXT CHANGES

CUSTOMER APPROVAL:

BY: _____

DATE: _____

BY: PHB

SCALE: VARIES

DATE: 05 16 03

SHADE & SHUTTER SYSTEMS, INC. 350 KIDDS HILL ROAD HYANNIS MA 02601 USA

REVERSE BOX WITH 4" CLEARANCE - 2X6 STUDS

CUSTOMER PART NUMBER: -	S&SS PART NUMBER: -
FILE NAME: SSA107-2	VERSION: 1
DISK: \CDD\...	REVISION: 6
DRAWING NAME: SSA107-2 1 6	