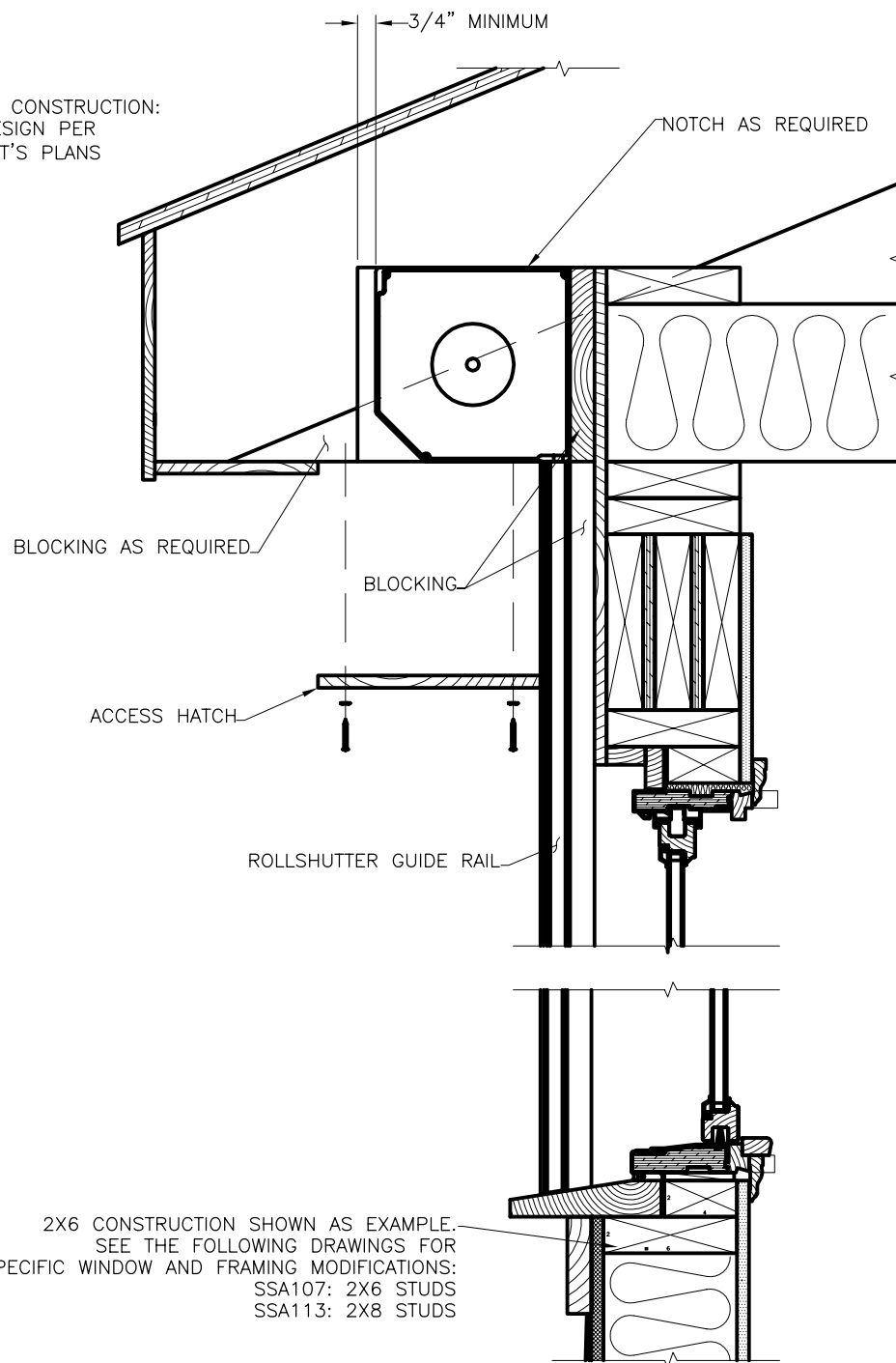
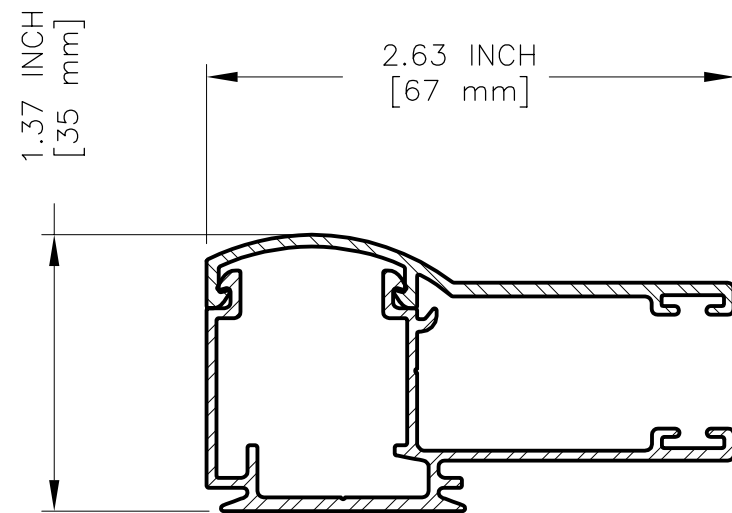
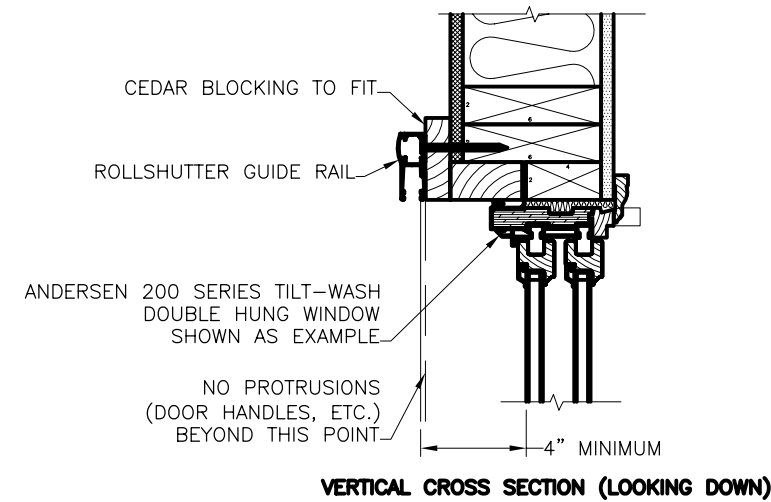


EXAMPLE ROOF CONSTRUCTION:
ROOF DESIGN PER
ARCHITECT'S PLANS



2X6 CONSTRUCTION SHOWN AS EXAMPLE.
SEE THE FOLLOWING DRAWINGS FOR
SPECIFIC WINDOW AND FRAMING MODIFICATIONS:
SSA107: 2X6 STUDS
SSA113: 2X8 STUDS



THIS DRAWING CONTAINS TRADE SECRETS AND CONFIDENTIAL AND PROPRIETARY INFORMATION OF SHADE & SHUTTER SYSTEMS, INC. IT IS NOT TO BE USED OR DISCLOSED WITHOUT EXPRESS WRITTEN PERMISSION OF SHADE& SHUTTER SYSTEMS, INC.

By accepting the document you agree to the above.

Copyright © Shade & Shutter Systems, Inc. 2004. All rights reserved.

8			
7			
6			
5			
4			
3			
2	5/15/06	PHB	REMOVED WINDOW REFERENCE
1	12/10/04	PHB	REMOVED SPACE ABOVE BOX
NO.	DATE	BY	REVISION

CUSTOMER APPROVAL:

BY: _____

DATE: _____

BY: PHB

SCALE: VARIES

DATE: 12/10/04

		350 KIDDS HILL ROAD HYANNIS MA 02601 USA	
CONCEALED IN SOFFIT INSTALLATION			
CUSTOMER PART NUMBER: -	S&SS PART NUMBER: -	DRAWING NAME:	
FILE NAME: SSA110-2	VERSION: 1	SSA110-2 1 2	
DISK: \CDD\...	REVISION: 2		