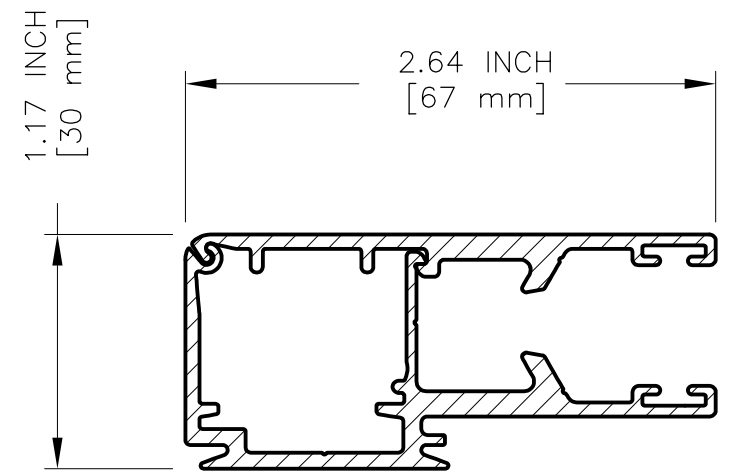


VERTICAL CROSS SECTION (LOOKING DOWN)



CONTROLL-SAFE RAIL

THIS DRAWING CONTAINS TRADE SECRETS AND CONFIDENTIAL AND PROPRIETARY INFORMATION OF SHADE & SHUTTER SYSTEMS, INC. IT IS NOT TO BE USED OR DISCLOSED WITHOUT EXPRESS WRITTEN PERMISSION OF SHADE & SHUTTER SYSTEMS, INC.

By accepting the document you agree to the above.

Copyright © Shade & Shutter Systems, Inc. 2006. All rights reserved.

8			
7			
6			
5			
4			
3			
2			
1	-	-	-
NO.	DATE	BY	REVISION

CUSTOMER APPROVAL:

BY:

DATE:

BY: PHB

SCALE: VARIES

DATE: MAY 15, '06

SHADE & SHUTTER SYSTEMS, INC. 350 KIDS HILL ROAD HYANNIS MA 02601 USA

REVERSE BOX, CONTROLL-SAFE RAIL, MOUNTED AT SHEATHING

CUSTOMER PART NUMBER: -	S&SS PART NUMBER: -
FILE NAME: SSA121-2	VERSION: 1
DISK: \CDD\...	REVISION: 0
DRAWING NAME: SSA121-2 1 0	