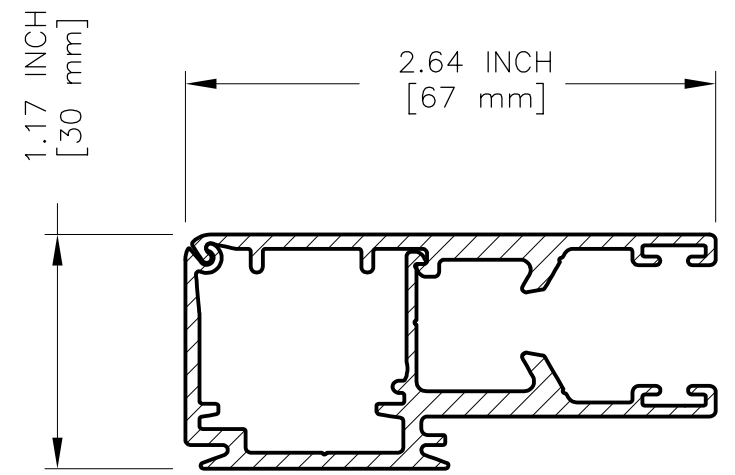


VERTICAL CROSS SECTION (LOOKING DOWN)



CONTROLL-SAFE RAIL

THIS DRAWING CONTAINS TRADE SECRETS AND CONFIDENTIAL AND PROPRIETARY INFORMATION OF SHADE & SHUTTER SYSTEMS, INC. IT IS NOT TO BE USED OR DISCLOSED WITHOUT EXPRESS WRITTEN PERMISSION OF SHADE & SHUTTER SYSTEMS, INC.

By accepting the document you agree to the above.

Copyright © Shade & Shutter Systems, Inc. 2006. All rights reserved.

8			
7			
6			
5			
4			
3			
2			
1	-	-	-
NO.	DATE	BY	REVISION

CUSTOMER APPROVAL:

BY: _____

DATE: _____

BY: PHB

SCALE: VARIES

DATE: MAY 15, '06

		350 KIDS HILL ROAD HYANNIS MA 02601 USA	
REVERSE BOX, CONTROLL-SAFE RAIL, MOUNTED TO SHEATHING			
CUSTOMER PART NUMBER: -	S&SS PART NUMBER: -	VERSION: 1	DRAWING NAME: SSA123-2 1 0
FILE NAME: SSA123-2	DISK: \CDD\...	REVISION: 0	