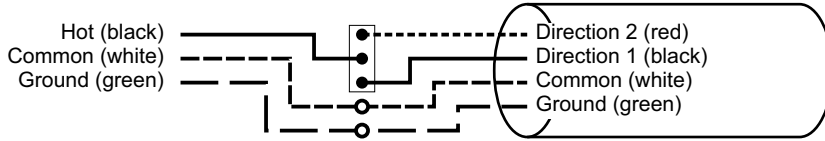


# Rollshutter Motor-drive Wiring

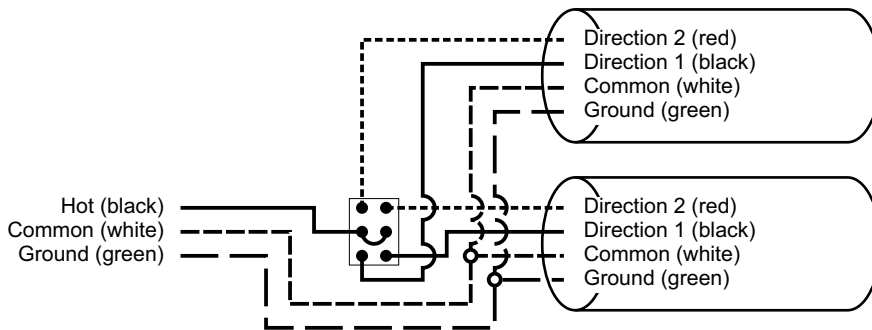
See Specific Job Information for Exact Specifications

## Single Rollshutter



Use a single-pole double-throw switch to control a single rollshutter.

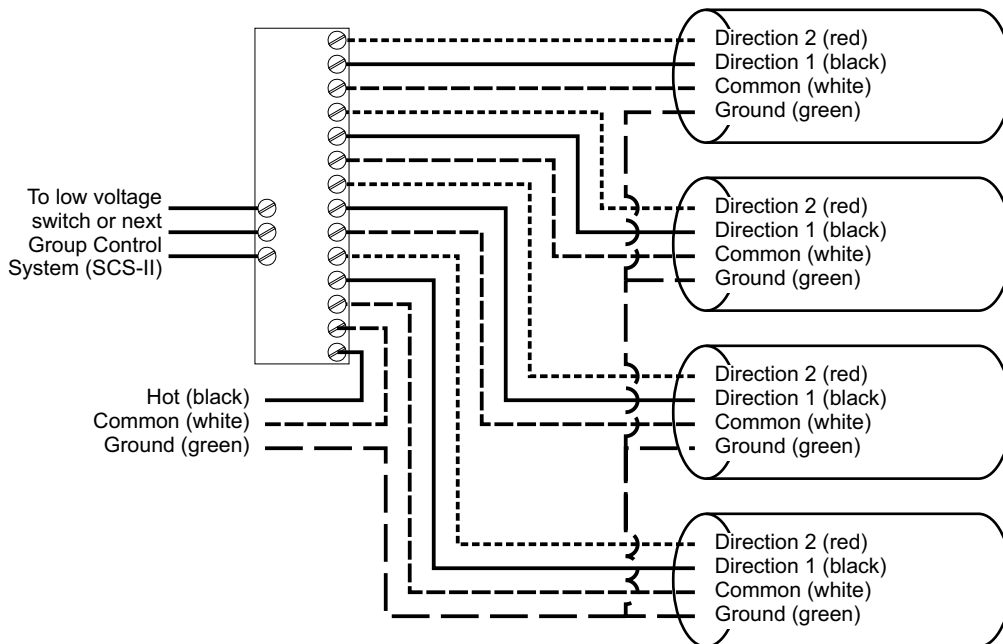
## Two Rollshutters with DPDT Switch



A double-pole double-throw (DPDT) switch may be used to control two rollshutters.

Never use a DPDT switch to control more than two rollshutters.

## Multiple Rollshutters with Group Control System (GCS-II)



The Group Control System is intended to control up to four motors from one switch location. Multiple GCSs may be wired together to increase the number of shutters controlled.

**Never control two or more rollshutters with a single-pole switch!**

