

# ONE-TRACK

USE THIS SHEET FOR SCREENS THAT WILL BE INSTALLED USING 5.5" EXTRUDED HOODS WHERE SCREEN TRACKS AND HOOD WILL BE EXPOSED FOR WALL OR JAMB MOUNT.

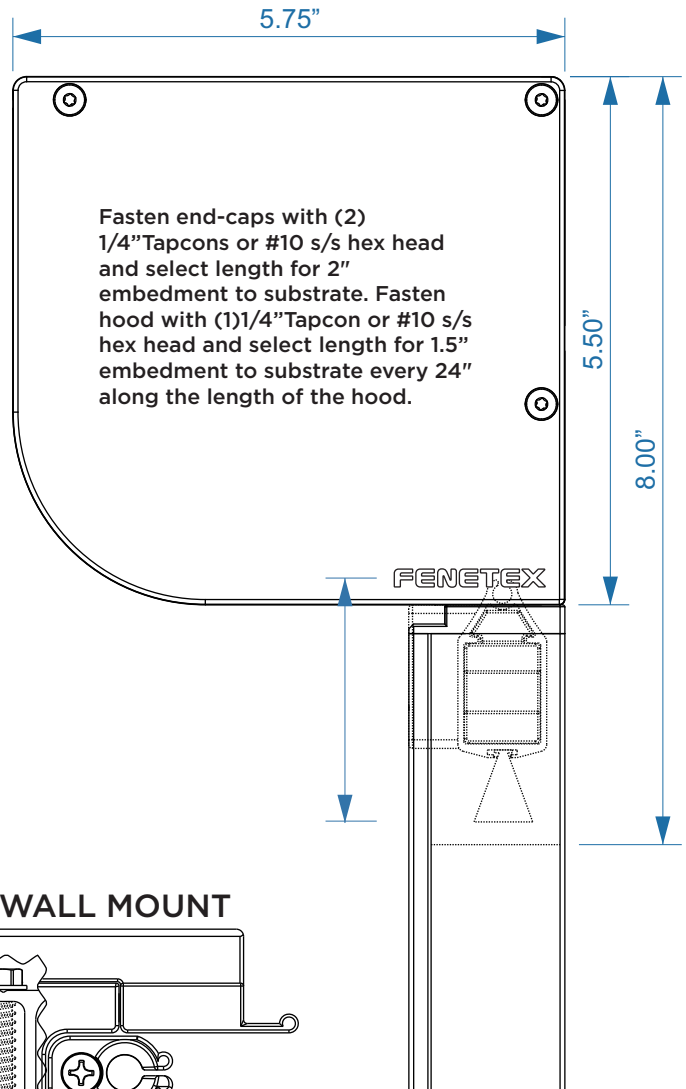
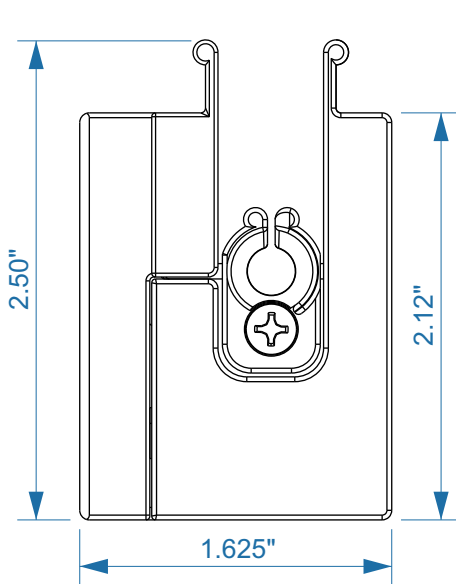
**Standard Colors: White, Beige, Bronze, Black**  
 Custom colors and wood grain finishes available for additional cost.

**Operators: Smart Motor w/15ch remote**  
**Somfy** (select Somfy if integrating with a home automation system)  
**Manual Crank** (manual crank requires warranty waiver).  
 Electrical requirement for each motor is 2.0 amps 120V 60Hz

## RECOMMENDED MAX SYSTEM DIMENSIONS\*

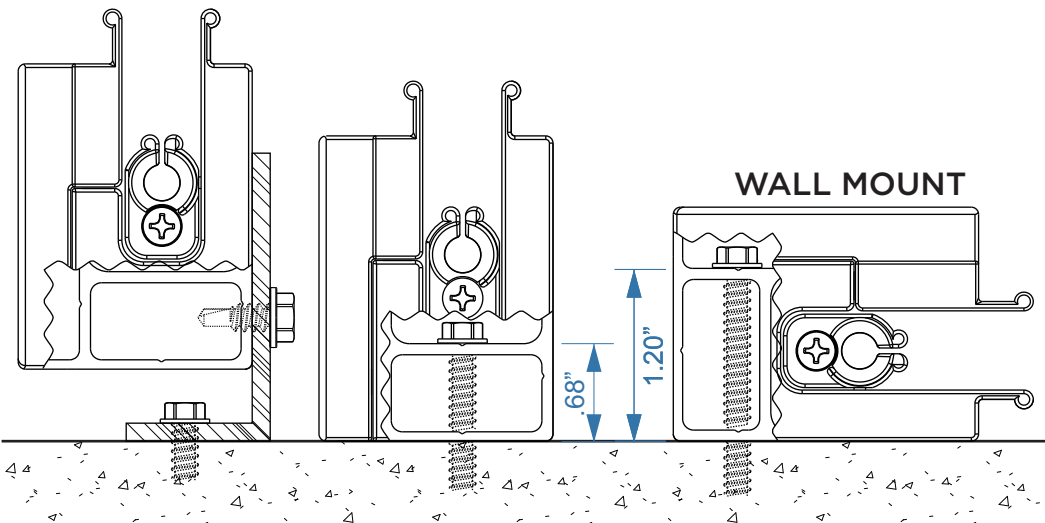
	Insect	Shade	Clear Vinyl
<b>Max Width</b>	240"	216"	180"
<b>Max Height</b>	150" 150" W/O SEAM	150" 126" W/O SEAM	150" 65" W/O SEAM

\*Screens ordered outside the recommended max system dimensions require a waiver. The typical issue is deflection in the reel that may cause wrinkles in the screen and/or a bow to be visible in the bottom track of a retracted screen.



### JAMB MOUNT

### WALL MOUNT



Jamb mount installations can be achieved with an angle which can simplify installations if columns are uneven or out of plumb. Fasten track to angle with #10x1/2" TEK screws or 3/16" aluminum rivets on 24" spacing. Fasten track to substrate with 1/4" Tapcon or #10 s/s hex head and select length for 2" embedment to substrate. 24" Spacing is typical, double fasteners where wind-speeds are likely to exceed 60MPH.

# ONE-TRACK EXTENDED DIMENSIONS

USE THIS SHEET FOR SCREENS THAT WILL BE INSTALLED USING 6.5" ROLL FORM HOODS WHERE SCREEN TRACKS AND HOOD WILL BE EXPOSED FOR WALL OR JAMB MOUNT.

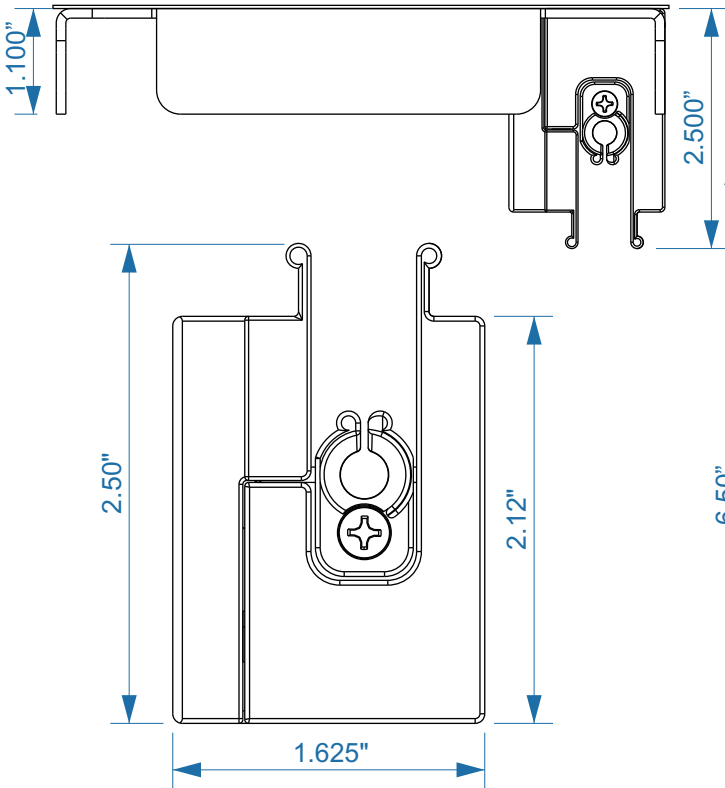
**Standard Colors:** White, Beige, Bronze  
**Operators:** Smart Motor w/15ch remote  
**Somfy** (select Somfy if integrating with a home automation system)  
**Manual Crank** (manual crank requires warranty waiver).  
 Electrical requirement for each motor is 2.0 amps 120V 60Hz

## RECOMMENDED MAX SYSTEM DIMENSIONS\*

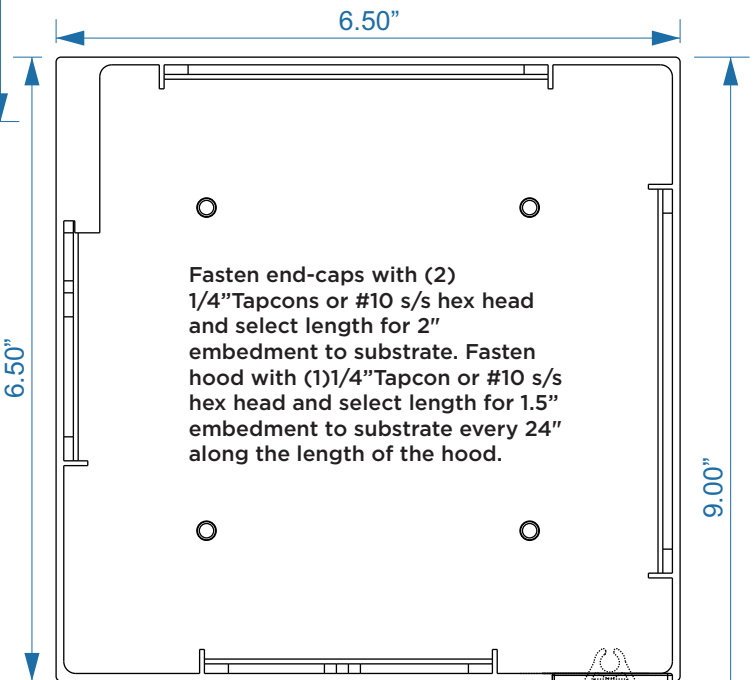
	Insect	Shade	Clear Vinyl
<b>Max Width</b>	240"	216"	180"
<b>Max Height</b>	192" 150" W/O SEAM	192" 126" W/O SEAM	150" 65" W/O SEAM

\*Screens ordered outside the recommended max system dimensions require a waiver. The typical issue is deflection in the reel that may cause wrinkles in the screen and/or a bow to be visible in the bottom track of a retracted screen.

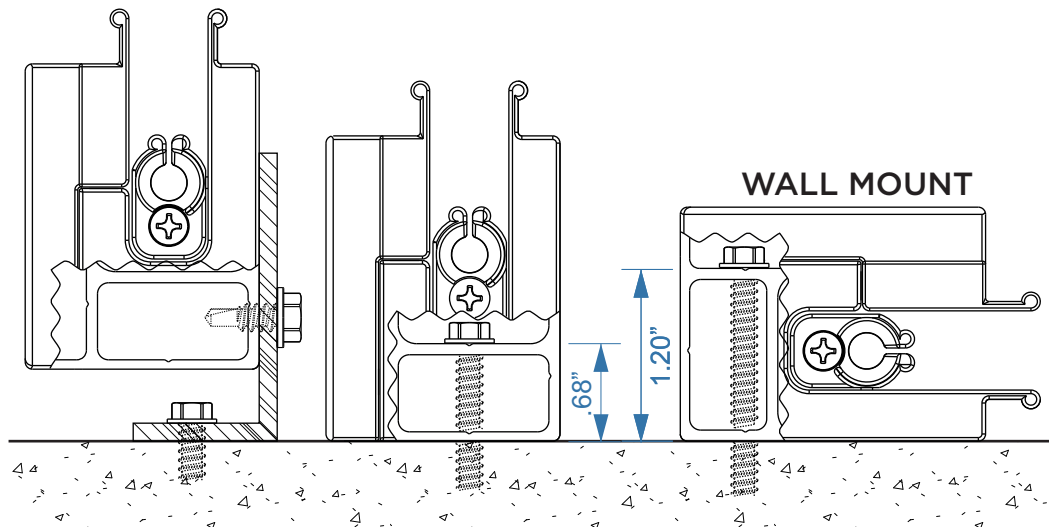
**SCREENS UP TO 25' WIDE CAN BE SUPPLIED AS A CUSTOM ORDER WHEN THEY MEET CERTAIN REQUIREMENTS. INQUIRE WITH YOUR SALESPERSON FOR ASSISTANCE.**



**JAMB MOUNT**



**WALL MOUNT**



Jamb mount installations can be achieved with an angle which can simplify installations if columns are uneven or out of plumb. Fasten track to angle with #10x1/2" TEK screws or 3/16" aluminum rivets on 24" spacing. Fasten track to substrate with 1/4" Tapcon or #10 s/s hex head and select length for 2" embedment to substrate. 24" Spacing is typical, double fasteners where wind-speeds are likely to exceed 60MPH.

# HIGH-LOAD TRACK

USE THIS SHEET FOR SCREENS THAT WILL BE INSTALLED USING 5.5" EXTRUDED HOODS WHERE SCREEN TRACKS AND HOOD WILL BE EXPOSED FOR WALL OR JAMB MOUNT.

**Standard Colors: White, Bronze**

Custom colors and wood grain finishes available for additional cost.

**Operators: Smart Motor w/15ch remote Somfy**

(select Somfy if integrating with a home automation system)

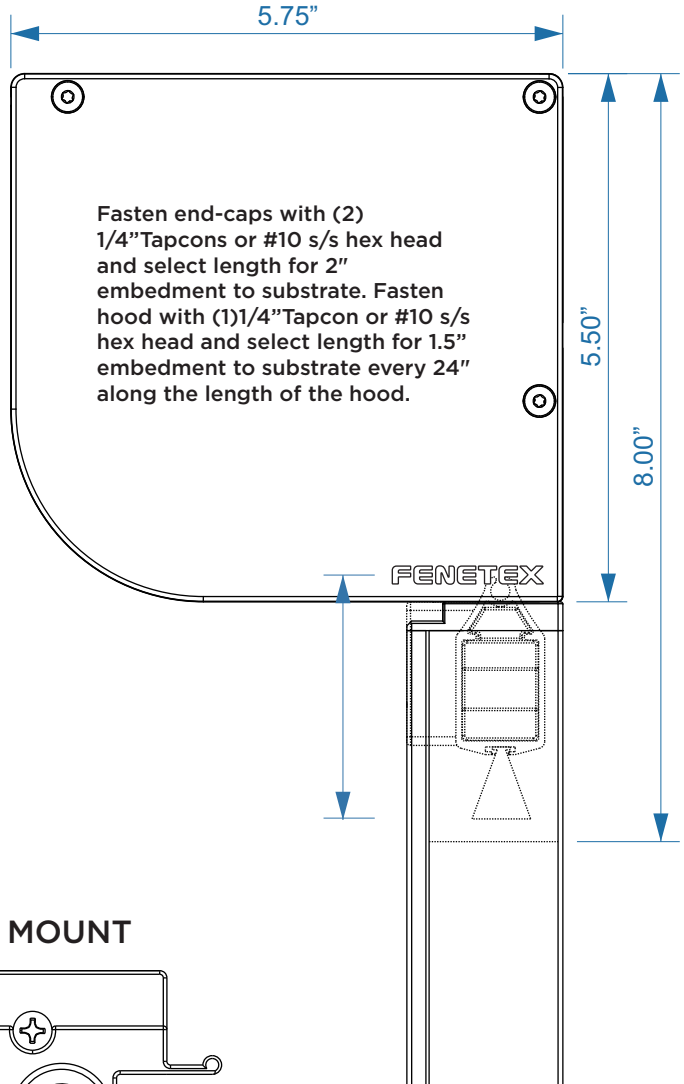
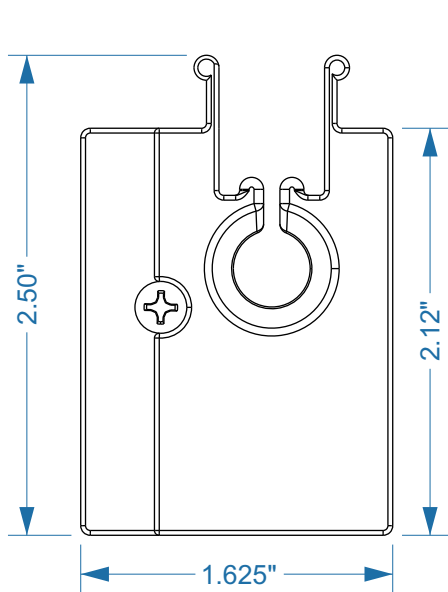
**Manual Crank** (manual crank requires warranty waiver).

Electrical requirement for each motor is 2.0 amps 120V 60Hz

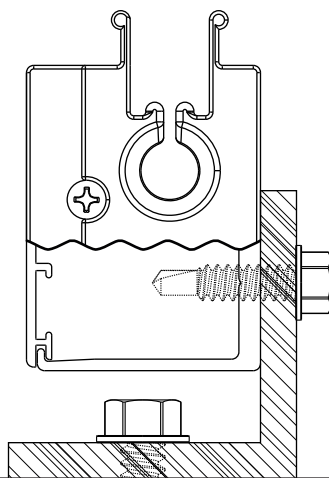
**RECOMMENDED HURRICANE DIMENSIONS\***

Max Width 192" Max Height 120"

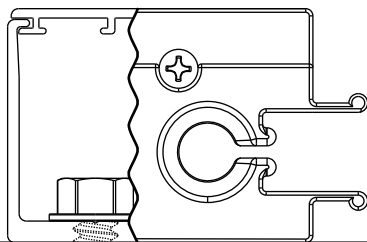
\*Hurricane rated screens are subject to the Florida Product Approval FL8637 R11, openings greater than 192" wide are possible and common but may require site specific engineering to meet Florida Building Code requirements for use as the primary hurricane protection on a structure. Screens ordered outside the recommended max system dimensions will have a waiver indicating these limitations of use. Additionally, due to the wight of the hurricane fabric, wider than recommended screens will have some deflection in the reel that may cause wrinkles in the screen and/or a bow to be visible in the bottom track of a retracted screen. Please contact Fenetex for guidance with wider openings.



**JAMB MOUNT**



**WALL MOUNT**



Jamb mount installations are achieved with an angle which will also simplify installations for columns that are uneven or out of plumb. See Florida Product Approval FL8637 R11 for fastening details and options.

# HIGH-LOAD TRACK

## EXTENDED DIMENSIONS

USE THIS SHEET FOR SCREENS THAT WILL BE INSTALLED USING 6.5" ROLL FORM HOODS WHERE SCREEN TRACKS AND HOOD WILL BE EXPOSED FOR WALL OR JAMB MOUNT.

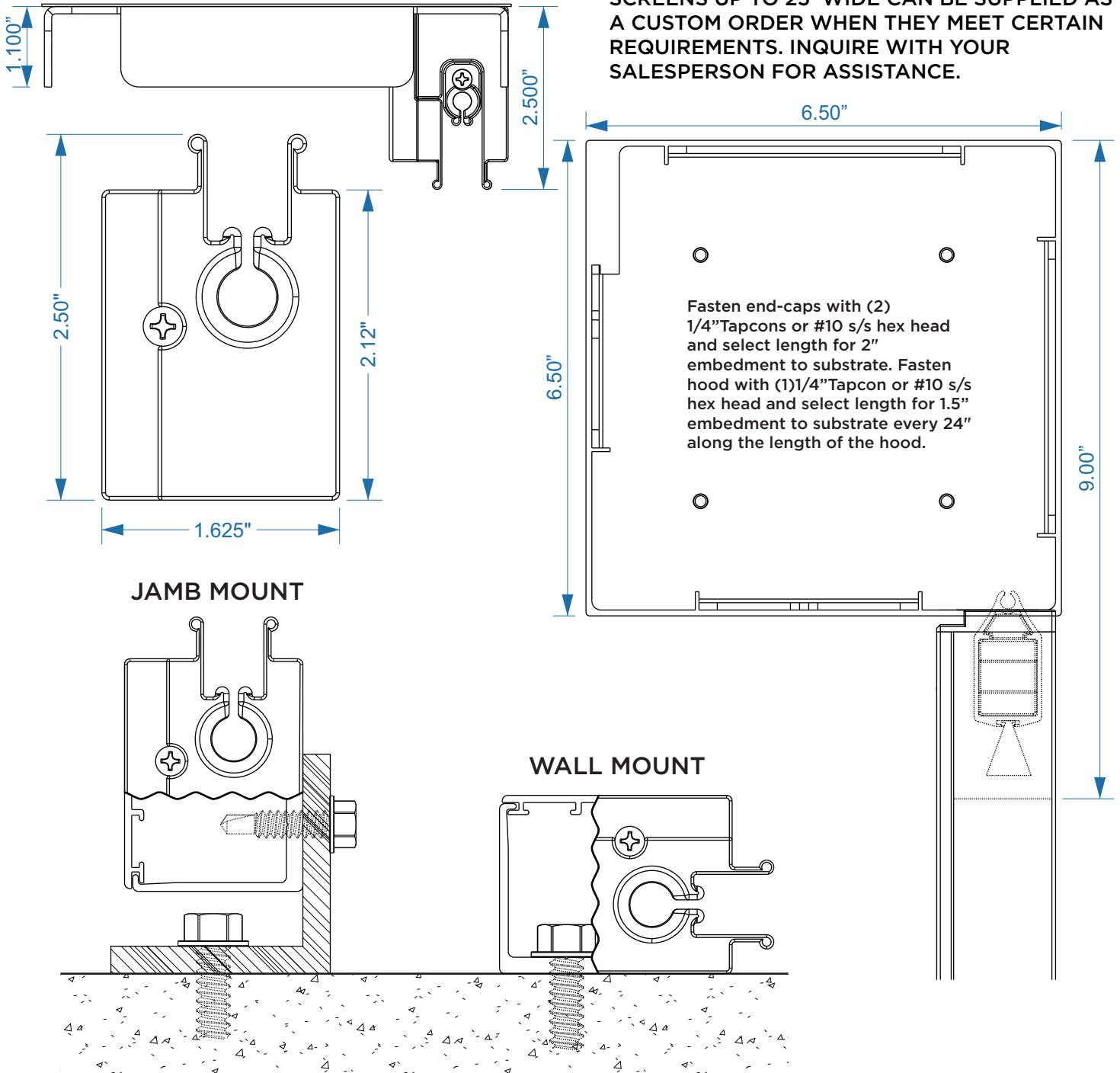
**Standard Colors:** White, Bronze  
**Operators:** Fenetex Smart Motor w/15ch remote  
**Somfy** (select Somfy if integrating with a home automation system)  
**Manual Crank** (manual crank requires warranty waiver).  
 Electrical requirement for each motor is 2.0 amps 120V 60Hz

### RECOMMENDED HURRICANE DIMENSIONS\*

Max Width 192" Max Height 150"

\*Hurricane rated screens are subject to the Florida Product Approval FL8637 R11, openings greater than 192" wide are possible and common but may require site specific engineering to meet Florida Building Code requirements for use as the primary hurricane protection on a structure. Screens ordered outside the recommended max system dimensions will have a waiver indicating these limitations of use. Additionally, due to the weight of the hurricane fabric, wider than recommended screens will have some deflection in the reel that may cause wrinkles in the screen and/or a bow to be visible in the bottom track of a retracted screen. Please contact Fenetex for guidance with wider openings.

**SCREENS UP TO 25' WIDE CAN BE SUPPLIED AS A CUSTOM ORDER WHEN THEY MEET CERTAIN REQUIREMENTS. INQUIRE WITH YOUR SALESPERSON FOR ASSISTANCE.**



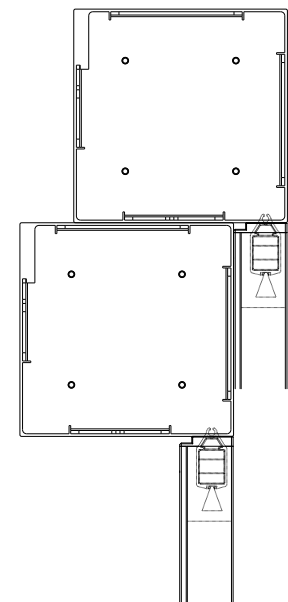
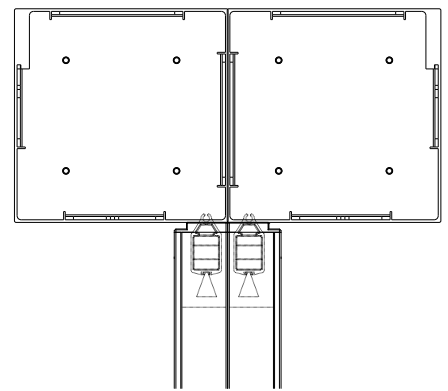
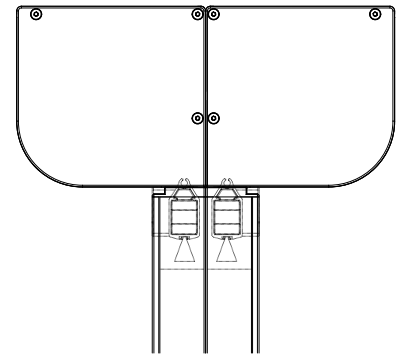
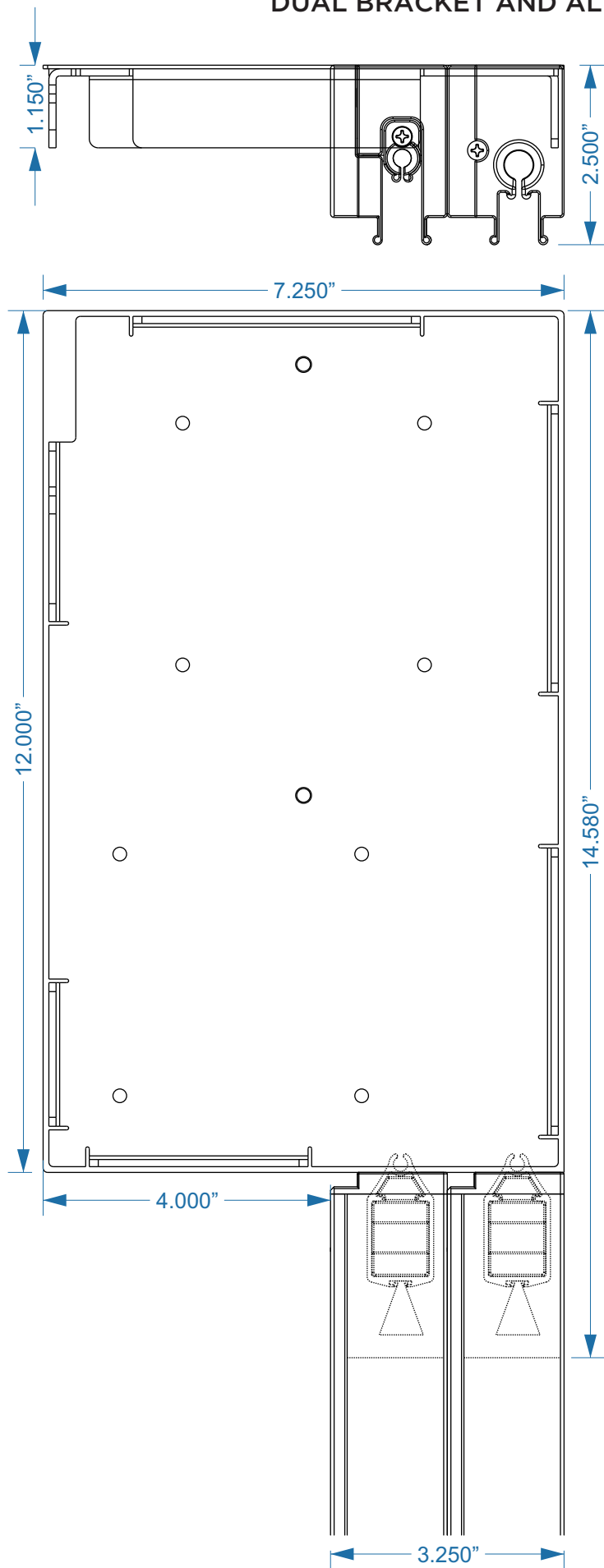
**JAMB MOUNT**

**WALL MOUNT**

Jamb mount installations are achieved with an angle which will also simplify installations for columns that are uneven or out of plumb. See Florida Product Approval FL8637 R11 for fastening details and options.

# DUAL SCREENS

## DUAL BRACKET AND ALTERNATIVES



# DUAL SCREENS

## ONE-TRACK + ONE-TRACK

USE THIS SHEET FOR SCREENS THAT WILL BE INSTALLED USING 7.25" X 12" ROLL FORM HOODS WHERE SCREEN TRACKS AND HOOD WILL BE EXPOSED FOR WALL OR JAMB MOUNT.

**Standard Colors: White, Beige, Bronze Operators: Fenetex Smart Motor w/15ch remote Somfy (select Somfy if integrating with a home automation system)**

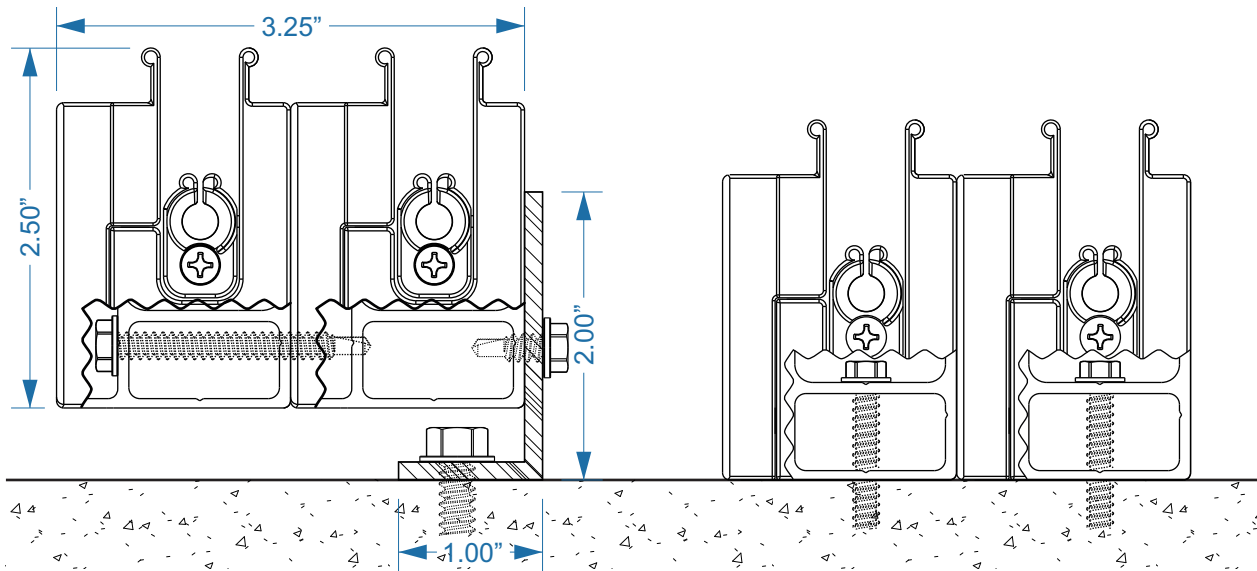
**Manual Crank** (manual crank requires warranty waiver).  
Electrical requirement for each motor is 2.0 amps 120V 60Hz

### RECOMMENDED MAX SYSTEM DIMENSIONS\*

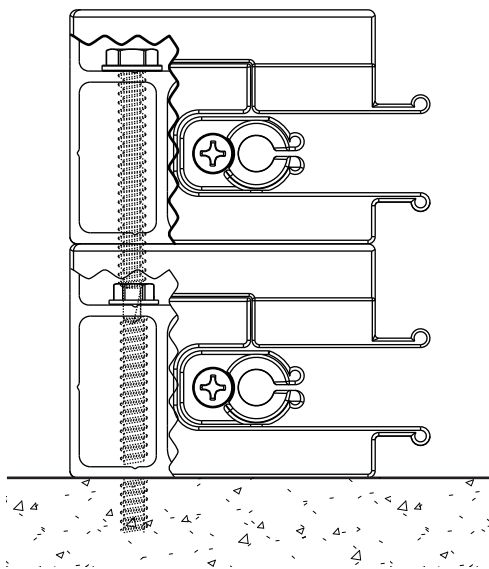
	Insect	Shade	Clear Vinyl
<b>Max Width</b>	240"	216"	180"
<b>Max Height</b>	150" 150" W/O SEAM	150" 126" W/O SEAM	150" 65" W/O SEAM

\*Screens ordered outside the recommended max system dimensions require a waiver. The typical issue is deflection in the reel that may cause wrinkles in the screen and/or a bow to be visible in the bottom track of a retracted screen.

### JAMB MOUNT



### WALL MOUNT



Jamb mount installations can be achieved with an angle which can simplify installations if columns are uneven or out of plumb. Shown is a 1x3x1/8" aluminum angle. We don't recommend using thinner angle since Fenetex screens can withstand much higher wind forces than typical screens and the goal is to keep the angle from bending.

Fasten track to angle with #10x1/2" TEK screws or 3/16" aluminum rivets on 24" spacing. Fasten track to substrate with 1/4" Tapcon or #10 s/s hex head and select length for 2" embedment to substrate. 24" Spacing is typical, double fasteners where wind-speeds are likely to exceed 60MPH.

This page describes basic dual screen track configurations. Please also see section on dual screen hoods for design considerations.

# DUAL SCREENS

## HIGH LOAD + ONE-TRACK

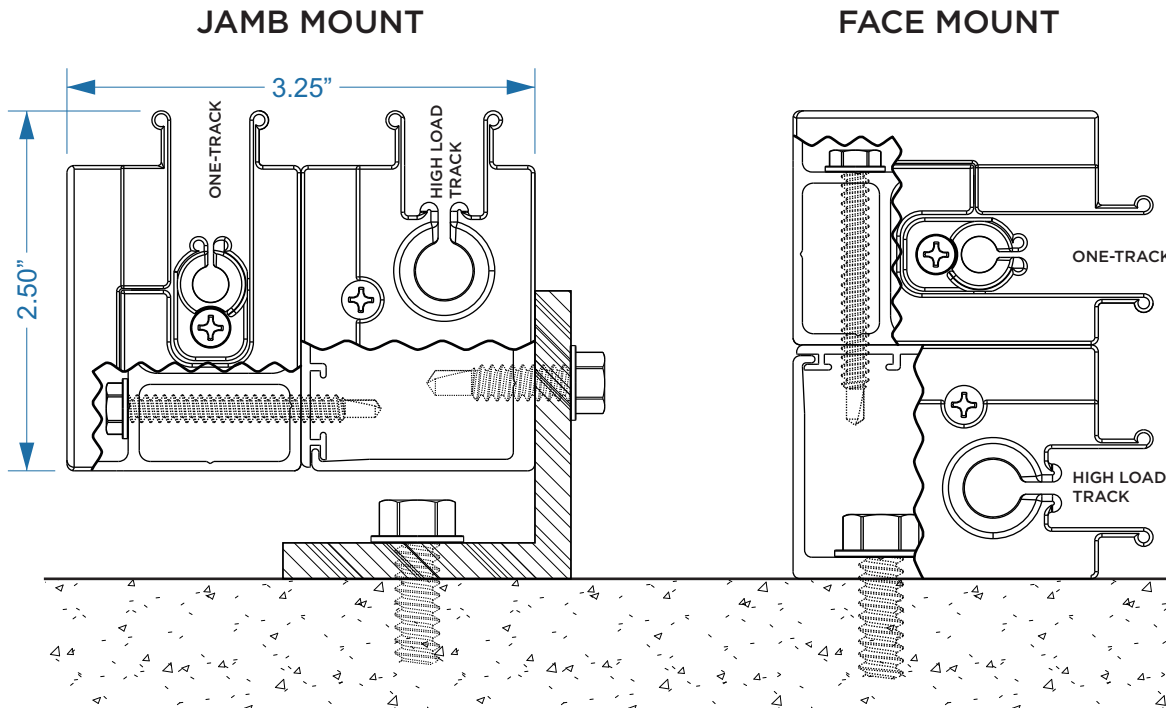
USE THIS SHEET FOR SCREENS THAT WILL BE INSTALLED USING 7.25" X 12" ROLL FORM HOODS WHERE SCREEN TRACKS AND HOOD WILL BE EXPOSED FOR WALL OR JAMB MOUNT.

**Standard Colors:** White, Bronze  
**Operators:** Fenetex Smart Motor w/15ch remote  
**Somfy** (select Somfy if integrating with a home automation system)  
**Manual Crank** (manual crank requires warranty waiver).  
 Electrical requirement for each motor is 2.0 amps 120V 60Hz

### RECOMMENDED HURRICANE DIMENSIONS\*

Max Width 192" Max Height 150"

\*Hurricane rated screens are subject to the Florida Product Approval FL8637 R11, openings greater than 192" wide are possible and common but may require site specific engineering to meet Florida Building Code requirements for use as the primary hurricane protection on a structure. Screens ordered outside the recommended max system dimensions will have a waiver indicating these limitations of use. Additionally, due to the weight of the hurricane fabric, wider than recommended screens will have some deflection in the reel that may cause wrinkles in the screen and/or a bow to be visible in the bottom track of a retracted screen. Please contact Fenetex for guidance with wider openings.



Jamb mount installations can be achieved with an angle which can simplify installations if columns are uneven or out of plumb. Shown is a 2x2x1/4" aluminum angle. See Florida Product Approval F18637 R11 for full list of fastening and build out options.

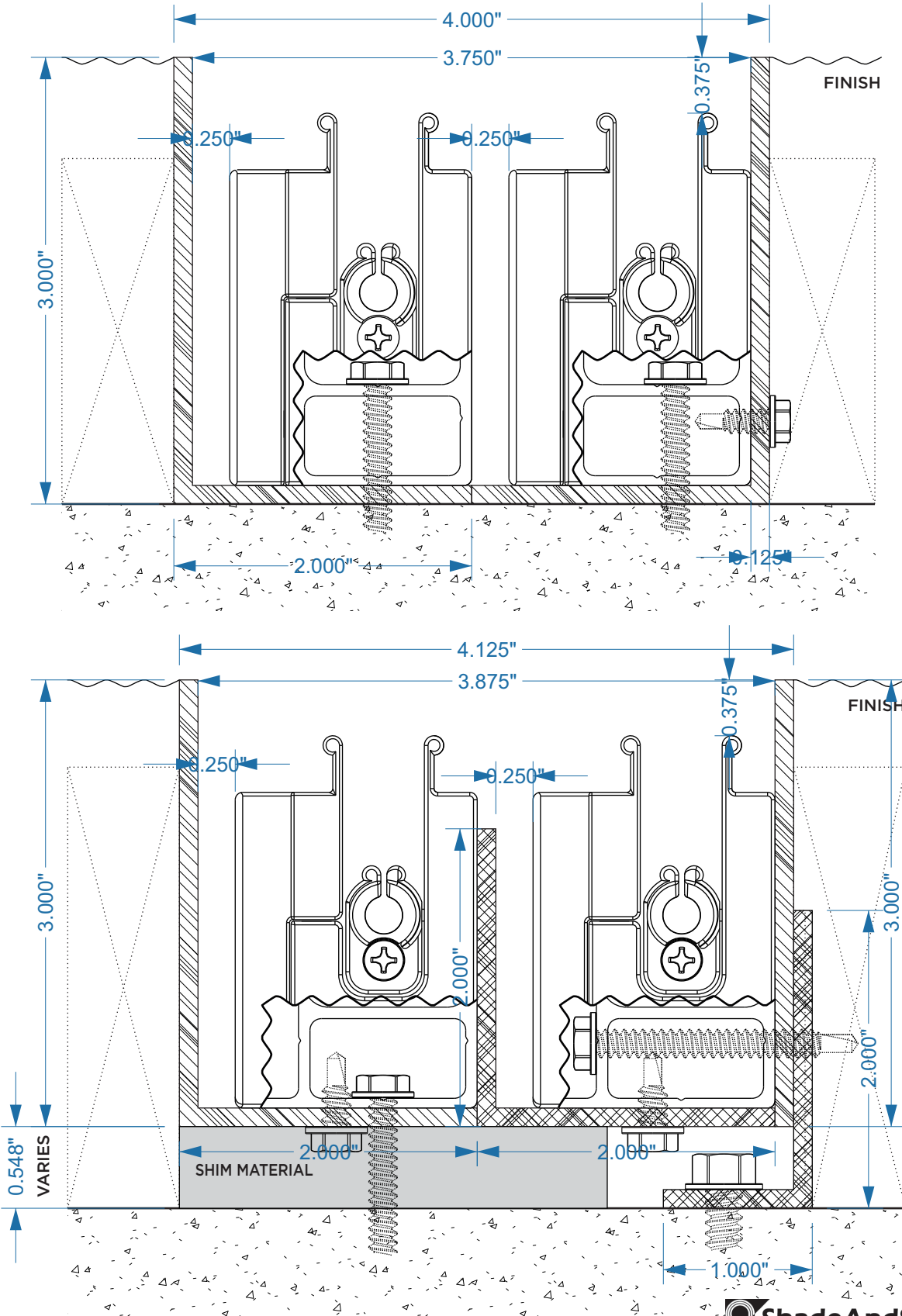
This page describes basic dual screen track configurations. Please also see section on dual screen hoods for design considerations.

# DUAL SCREENS

## BUILT-IN ONE-TRACK + ONE-TRACK

GENERIC DRAWINGS FOR TYPICAL TRACK INSTALLATION WHERE TRACKS WILL BE BUILT INTO A WALL COLUMN. CONTACT FENETEX FOR PROJECT SPECIFIC GUIDANCE. SCALE IS 1:1

NOTE: BUILT-IN DUAL SCREENS WILL USE ONE 7.25"X12" BRACKET OR TWO 6.5"X6.5" BRACKETS. SEE BRACKET DRAWINGS FOR DESIGN CONSIDERATIONS.



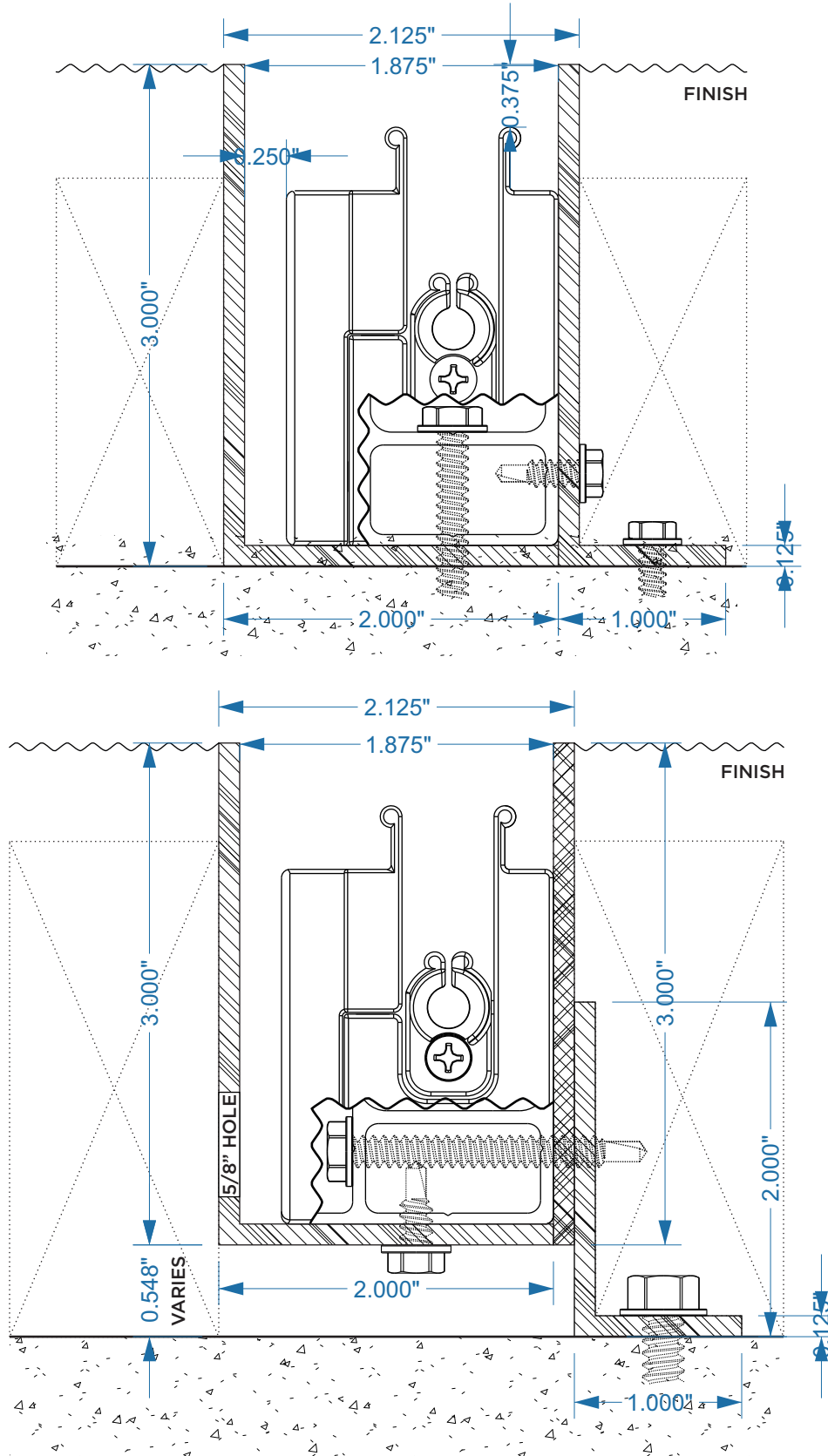


# ONE-TRACK

## BUILT-IN INSTALLATIONS

GENERIC DRAWINGS FOR TYPICAL TRACK INSTALLATION WHERE TRACKS WILL BE BUILT INTO A WALL COLUMN. CONTACT FENETEX FOR PROJECT SPECIFIC GUIDANCE. SCALE IS 1:1

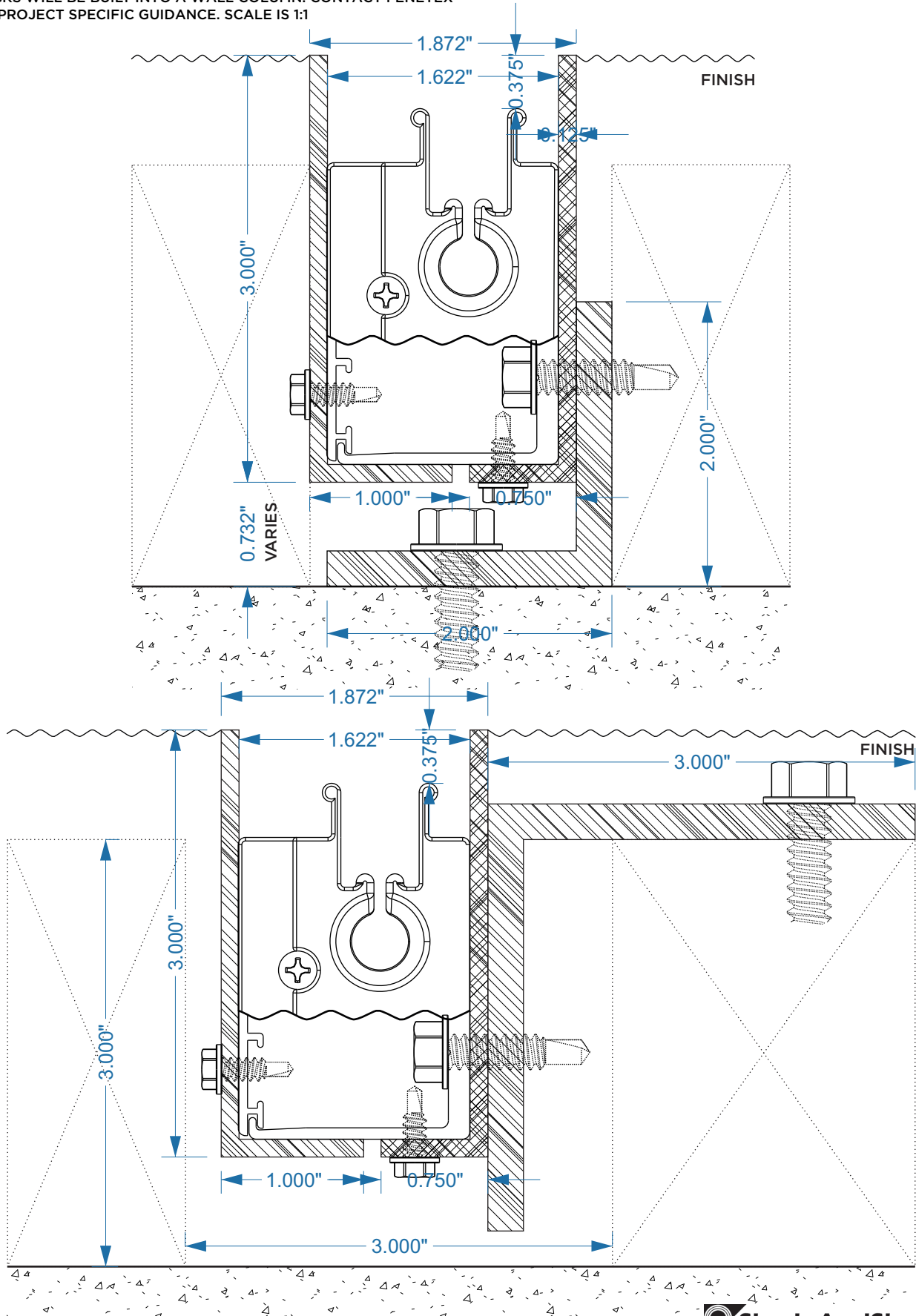
NOTE: BUILT-IN SCREENS WILL USE 6.5"X6.5" BRACKETS. SEE BRACKET DRAWINGS ON SHEET 2 (ONE-TRACK EXTENDED) FOR DESIGN CONSIDERATIONS.



# HIGH-LOAD TRACK BUILT-IN INSTALLATIONS

GENERIC DRAWINGS FOR TYPICAL TRACK INSTALLATION WHERE TRACKS WILL BE BUILT INTO A WALL COLUMN. CONTACT FENETEX FOR PROJECT SPECIFIC GUIDANCE. SCALE IS 1:1

NOTE: BUILT-IN SCREENS WILL USE 6.5"X6.5" BRACKETS. SEE SHEET 3 (HIGH LOAD TRACK EXTENDED) FOR DESIGN CONSIDERATIONS.

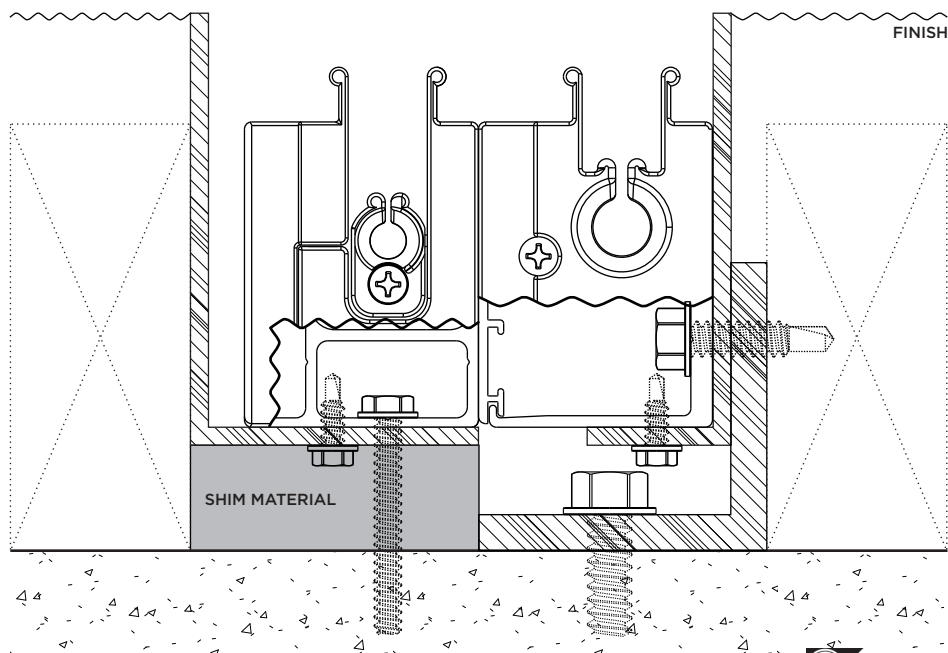
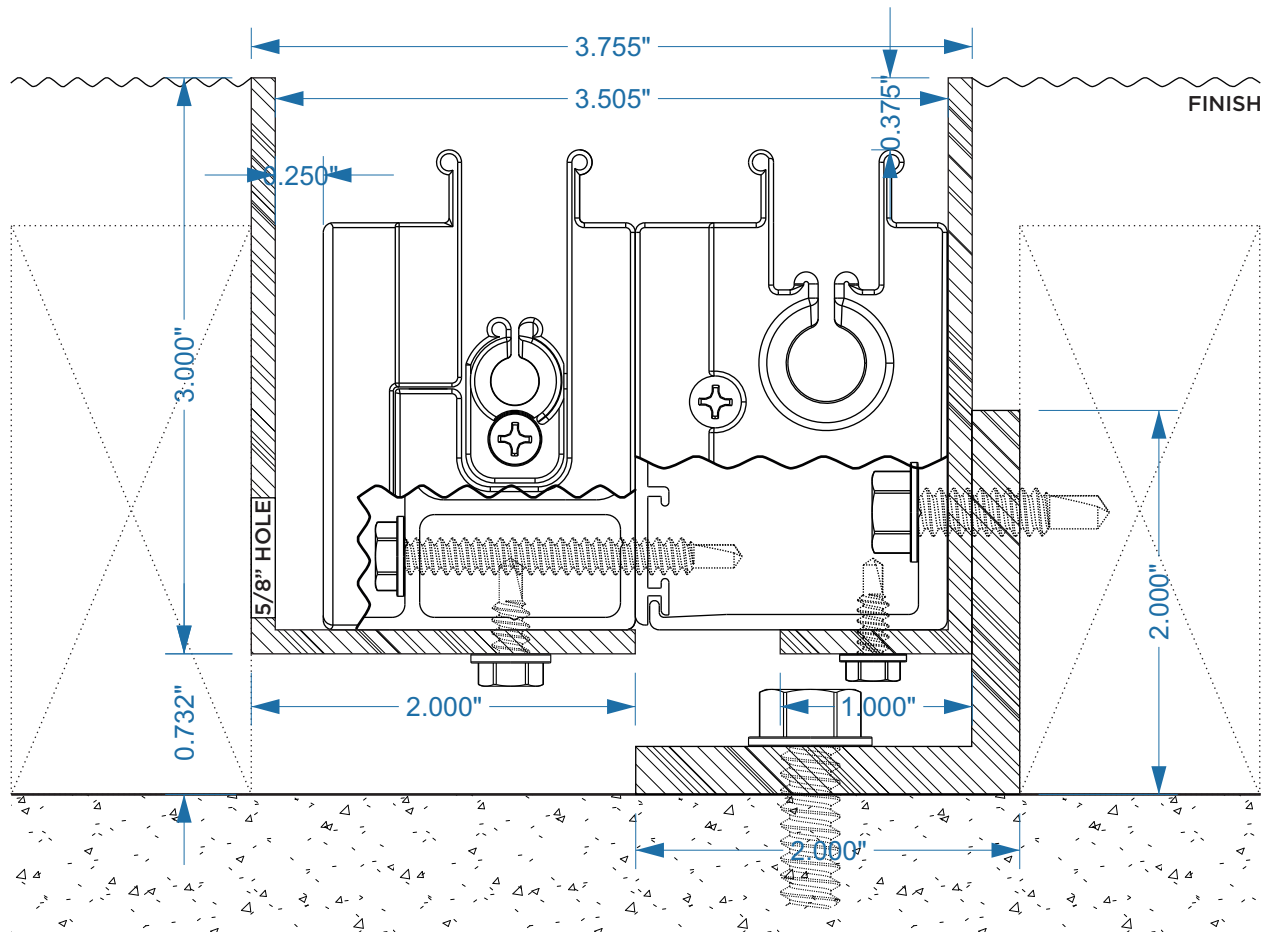


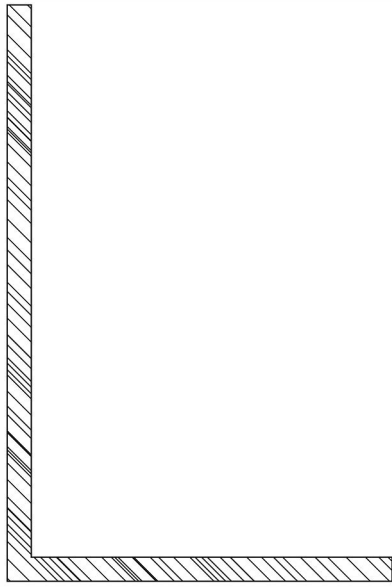
# DUAL SCREENS

## BUILT-IN HIGH-LOAD + ONE-TRACK

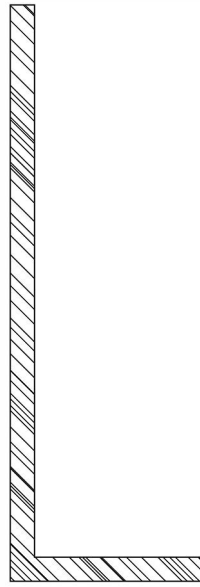
GENERIC DRAWINGS FOR TYPICAL TRACK INSTALLATION WHERE TRACKS WILL BE BUILT INTO A WALL COLUMN. CONTACT FENETEX FOR PROJECT SPECIFIC GUIDANCE. SCALE IS 1:1

NOTE: BUILT-IN DUAL SCREENS WILL USE ONE 7.25"X12" BRACKET OR TWO 6.5"X6.5" BRACKETS. SEE BRACKET DRAWINGS FOR DESIGN CONSIDERATIONS.

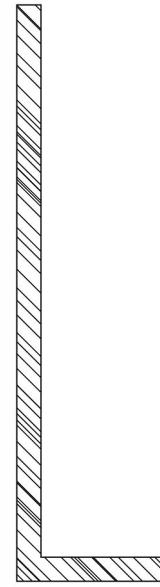




2X3X.125



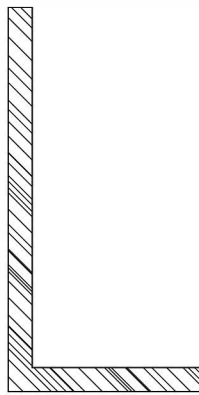
1X3X.125



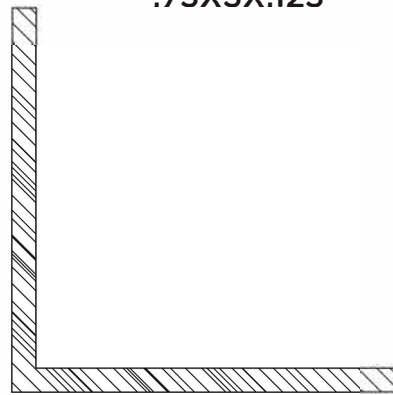
1X3X.125  
CUT TO  
.75X3X.125



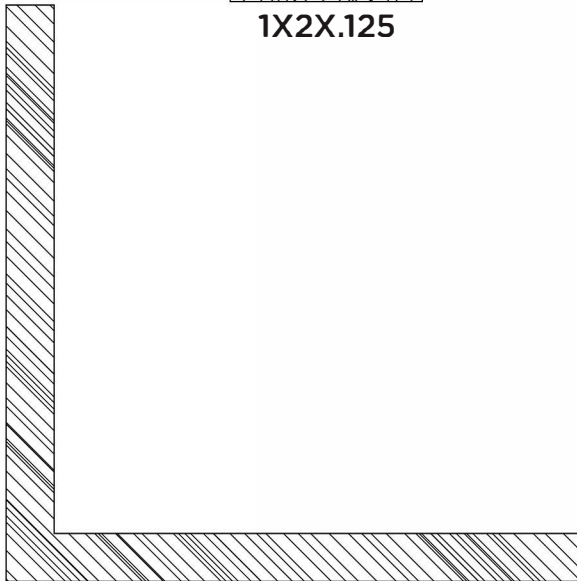
.125X4  
CUT TO  
.125X4



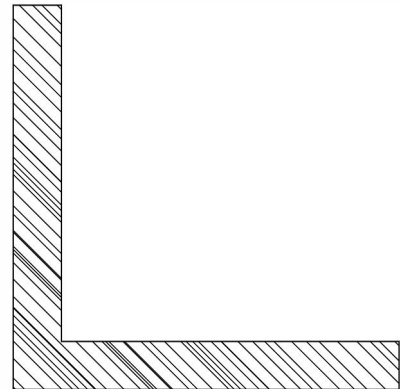
1X2X.125



2X2X.125



3X3X.25



2X2X.25